

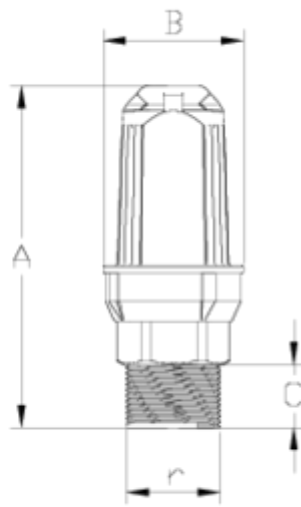


Net air release valve

DOUBLE EFFECT "ECO" ITEM 915

Ref.	Description	Net W.	Vol. (m ³)	Gross W.	Batch
1017512	VENTOSA DOBLE EFECTO "ECO" 3/4"	0,089	0,01553	3,18	32
1017513	VENTOSA DOBLE EFECTO "ECO" 1"	0,099	0,01553	3,48	32





ITEM 915 | DOUBLE EFFECT "ECO"

Código	r	Peso (g)	A	B	C	Material	PN	TIPO ROSCA
17512	3/4"	99	120	50	19	PA	PN16	BSP
17513	1"	101	120	50	22	PA	PN16	BSP



PRODUCT DOCUMENTS



PRODUCT CERTIFICATES

COMPANY CERTIFICATES

